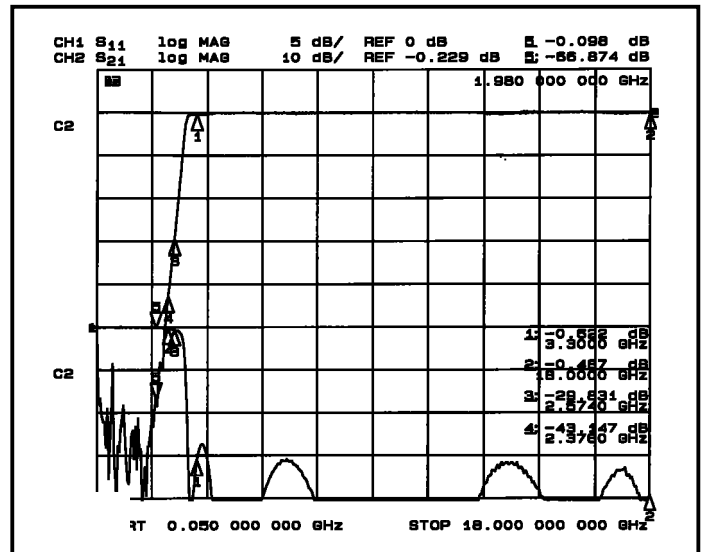


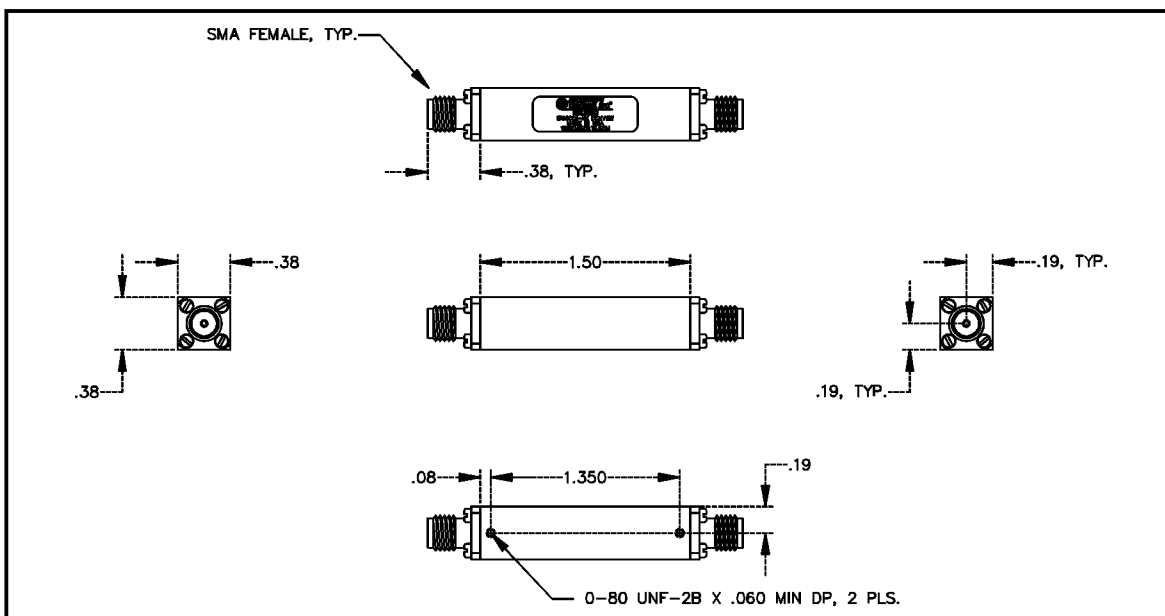


SPECIFICATIONS:

P/N: H3G318G1,
L/C MINIATURE HIGHPASS FILTER,
PASSBAND = 3.3 GHZ - 18 GHZ,
INSERTION LOSS < 1.2 DB OVER THE PASSBAND,
50 OHM VSWR < 2:1 OVER THE PASSBAND,
INSERTION LOSS = 3 DB NOMINAL AT 2970 MHZ,
REJECTION > 20 DB NOMINAL AT 2574 MHZ,
REJECTION = 40 DB NOMINAL AT 2376 MHZ,
REJECTION > 60 DB FROM DC - 1980 MHZ,
POWER HANDLING = 2 W AVG,
SIZE IS: 0.38"H X 0.38"W X 1.50"L EXCLUDING CONNECTORS,
CONNECTORS ARE SMA FEMALE.
WEIGHT = 0.8 OZ.



TYPICAL PERFORMANCE



OUTLINE DRAWING

USA Toll Free:
1 800 MIC CKTS

Tel:
202 829 3030

Fax:
202 829 2639

E-Mail:
filters@micckts.com

Website:
www.micckts.com